

MAHLE

Industrial Filtration

Filter housing Cartridge filter AFK6-24

1. Introduction

The amafilter housings type AFK 6 -24 are industrial cartridge filter housings in stainless steel. These two models are mid size models in the AFK range, to suit various flow rates.

The AFK cartridge housings are an economical solution for all industrial liquid and gas applications conform to PED 97/23/EC category III.



2. Features

- Cover closing with hinged eye bolts and eye nuts (stainless steel)
- Flat cover with hinge and handle
- Fully drainable vessel
- O-ring sealing: standard Buna-N. Other materials on request
- Compact design
- Pickled and passivated
- Suitable for 6 filter cartridges of 10", 20", 30" or 40" length
- Available from stock

4. Models

MAHLE Industrial Filtration can supply four standard sizes in stainless steel from stock. These are available with flanged connections.

Other standard filter housings

MAHLE Industrial Filtration also supplies other standard filter housings suitable for all industrial liquid and gas applications for various flow rates.

For more information please contact your representative.

Special models to suit customer requirements

Other options of supply and manufacture are non-standard types for higher temperatures, pressures and other materials according to current design codes are available on request.

3. Standard specifications

Design pressure	: -1 / 10 bar(g)
Design temperature	: -10 / 150 °C
Operating temperature	: depending on the filter media and gaskets used
Design	: AD-2000 Regelwerk
Approval	: PED 97/23/EC cat. II/III
Maximum differential pressure	
design	: 2.5 bar
operating	: depending on type of filter cartridge

The internal construction is designed to suit:

- Double Open End X0, X4 and X9
- Single Open End X3

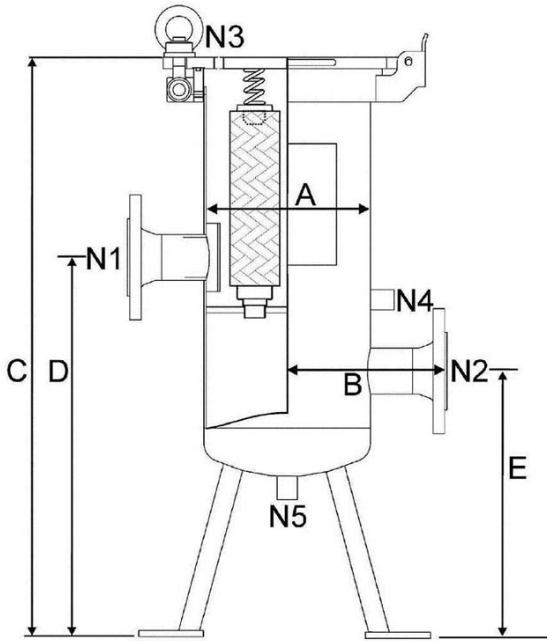
For use of DOE cartridges, tube guides and compression springs are supplied for quick and trouble free installation. For filter cartridges with X3 end cap configuration a compression plate is recommended.

5. Filter cartridges

MAHLE Industrial Filtration supplies a wide range of filter cartridges in different materials, pore sizes, dimensions and models to fit in amafilter housings as well as those of other manufacturers.

For detailed information about filter cartridges, please contact your representative.

6. Dimensions



Nozzle specification

N1 :	Inlet (DN50 EN1092-1 PN16)
N2 :	Outlet (DN50 EN1092-1 PN16)
N3 :	Vent (Rp $\frac{1}{4}$ - ISO7-1)
N4 :	Dirt drain (Rp $\frac{1}{2}$ - ISO7-1)
N5 :	Clean drain (Rp $\frac{1}{2}$ - ISO7-1)

Model	Dimensions						
	Diameter [mm] A	Standout [mm] B	Height [mm] C	Nozze height [mm] D	Nozze height [mm] E	Volume [dm ³]	Weight [kg]
AFK6	219	210	750	500	350	19	31
AFK12	219	210	1010	500	350	28	35
AFK18	219	210	1265	500	350	38	39
AFK24	219	210	1540	500	350	47	44

Height required for changing cartridges is height C plus cartridge length. Dimensions are for reference only. Use dimensional drawing for installation purposes.

Subject to technical alteration without prior notice.

7. Ordering code

Example

AFK12 2 T 2F

amafilter type

AFK6
AFK12
AFK18
AFK24

Cartridge length

1 = 10"
2 = 20"
3 = 30"
4 = 40"

Material

T = 316Ti (1.4571)

Inlet/outlet

2F = DN50 acc. EN10921/PN16

2FA =ASME 150 lbs RF (on request)

MAHLE

Industrial Filtration

MAHLE Industrial Filtration (Benelux) B.V.
P.O.Box 396 1800 AJ
Alkmaar - The Netherlands
Phone +31 (0) 72 5273400
Fax +31 (0) 72 5125207
mahle.amafilter@mahle.com
www.mahle-industrialfiltration.com
10/2009