

Filter housing Cartridge filter AFL1-SS

1. Introduction

The amafilter AFL1 stainless steel cartridge filter housing is designed to accommodate a single DOE style filter cartridge. The spring seal construction allows for small deviations in cartridge length. The T-handle avoids the need for using tools for changing the filter cartridge. The filter cartridge housings are suitable for filtering non dangerous liquids and conforms to the PED article 3, paragraph 3.



2. Features

- Suitable for a single DOE cartridge 10" and 20", other lengths on request
- All stainless steel 316 construction
- Viton® O-ring sealing standard, other materials on request
- ½", ¾" and 1" NPT connections, other connections on request
- No tools required for changing the filter cartridge
- Vent and drain plugs are standard

4. Standard specifications

| | |
|-----------------------|--------------------------------------|
| Bowl | : stainless steel 316 |
| Head | : cast stainless steel 316 |
| Cover O-ring | : Viton®, other materials on request |
| T-handle O-ring | : PTFE |
| Operating pressure | : max. 12 bar(g) @ 65 °C |
| Operating temperature | : max. 90 °C |

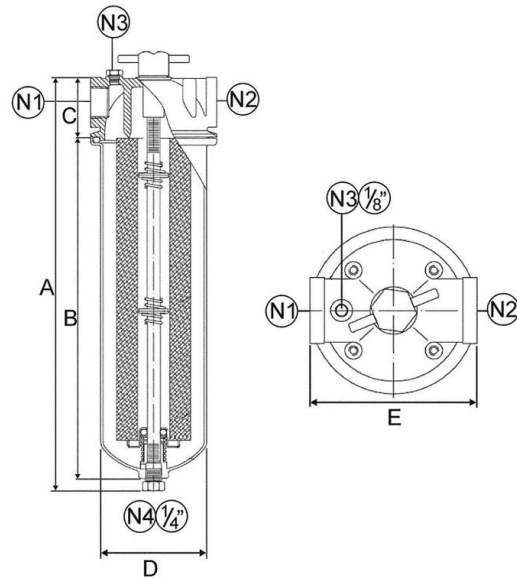
The internal construction is designed to suit Double Open End (code X0) filter cartridges.

3. Filter cartridges

MAHLE Industrial Filtration supplies a wide range of filter cartridges in different materials, pore sizes, dimensions and models to fit in amafilter housings as well as those of other manufacturers.

For detailed information about filter cartridges, please contact your representative.

5. Outline drawing



N1: Inlet, N2:Outlet, N3: Vent, N4: Drain

| Filter model | Dimensions [mm] | | | | |
|--------------|-----------------|-----|----|----|-----|
| | A | B | C | D | E |
| AFL1-10 | 369 | 287 | 72 | 89 | 106 |
| AFL1-20 | 623 | 541 | 72 | 89 | 106 |

6. Ordering code

| | | | | |
|---------------------------------|------|----|---|---|
| amafilter type | AFL1 | 10 | S | 1 |
| AFL1 | | | | |
| Cartridge length | | | | |
| 10 = 10" | | | | |
| 20 = 20" | | | | |
| <i>Other lengths on request</i> | | | | |
| Material | | | | |
| S = stainless steel 316 | | | | |
| Inlet/Outlet | | | | |
| ½ = ½" NPT | | | | |
| ¾ = ¾" NPT | | | | |
| 1 = 1" NPT | | | | |