

MAHLE

Industrial Filtration

Filter housing Cartridge filter AFT 7-28

1. Introduction

The MAHLE Industrial Filtration AFT series of cartridge filter housings has been designed to offer a cost effective range of stainless steel filter housings. Available in a wide range of options these housings are suitable for a wide range of applications, particularly in water applications.



2. Features

- Accepts a wide range of end fittings - Single open end (with or without fin) and Double open end (DOE)
- Suitable for multiple numbers of cartridges
- V clamp closure design
- 304 or 316 stainless steel for wide chemical compatibility
- Ease of use design and construction
- Wide range of inlet/outlet options
- O-ring sealing: EPDM

4. Models

MAHLE Industrial Filtration can supply several standard sizes in stainless steel. These are available with threaded connections or flanged.

Other standard filter housings

We also supply other standard filter housings suitable for all industrial liquid and gas applications for various flow rates. For more information please contact your local representative.

3. Standard specifications

Design pressure	: 10 bar(g)
Design temperature	: - 10 / 90 °C
Operating temperature	: depending on the filter media and gaskets used
PED 97/23/EC cat.	: article 3 paragraph 3
Maximum differential pressure design	: 2.5 bar
operating	: depending on type of filter cartridge installed

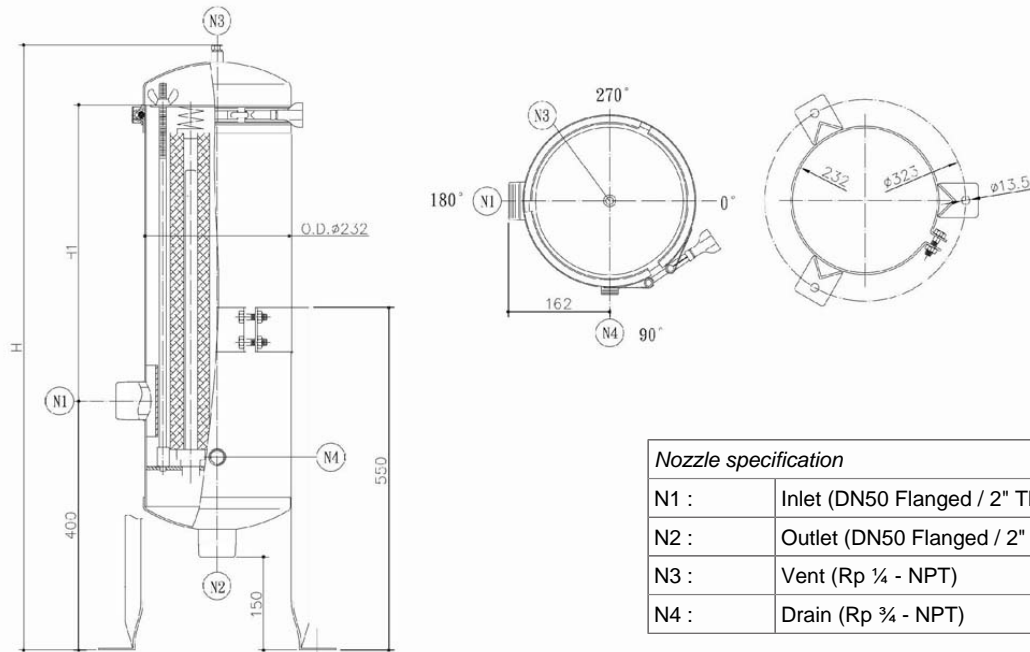
The internal construction is designed to accept:

- Double open end (X0, X4 and X9)
- Single open end (X3 and X8)

5. Filter cartridges

MAHLE Industrial Filtration supplies a wide range of filter cartridges in different medias, pore sizes, dimensions and models to fit in ama-filter housings as well as those of other manufacturers. For detailed information about filter cartridge options, please contact your local representative.

6. Dimensions



Nozzle specification	
N1 :	Inlet (DN50 Flanged / 2" Threaded)
N2 :	Outlet (DN50 Flanged / 2" Threaded)
N3 :	Vent (Rp ¼ - NPT)
N4 :	Drain (Rp ¾ - NPT)

Dimensions				
Size	Diameter [mm] A	Height [mm] H	Height [mm] H1	Volume [dm³]
10"	232	717	221	20
20"	232	971	475	30
30"	232	1225	729	40
40"	232	1489	983	50

Dimensions are for reference only. Use dimensional drawing for installation purposes. Subject to technical alteration without prior notice.

7. Ordering code

Example

amafilter type AFT 7 = 7 cartridges (10") AFT 14 = 7 cartridges (20") AFT 21 = 7 cartridges (30") AFT 28 = 7 cartridges (40")	Cartridge length 1 = 10" 2 = 20" 3 = 30" 4 = 40"	Material A = stainless steel 304 S = stainless steel 316	Inlet/outlet 2 = Rp2 - ISO7-1 (standard) 2F = DN50 acc. EN1092/PN16	Cartridge style no code = X0, X4, X9 style X3 = X3, X8 style	AFT 7	1	A	2
--	---	---	--	---	-------	---	---	---

MAHLE Industrial Filtration (Benelux) B.V., P.O. Box 396, 1800 AJ, Alkmaar - The Netherlands, Phone +31 (0) 72 5273400, Fax +31 (0) 72 5125207, mahle.amafilter@mahle.com, www.mahle-industrialfiltration.com, 05/2010

MAHLE

Industrial Filtration

MAHLE Industrial Filtration (Benelux) B.V.

P.O.Box 396 1800 AJ

Alkmaar - The Netherlands

Phone +31 (0) 72 5273400

Fax +31 (0) 72 5125207

mahle.amafilter@mahle.com

www.mahle-industrialfiltration.com

11/2009