

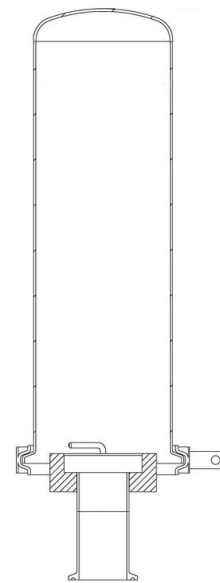
Filter housing Cartridge filter AFV1

1. Introduction

To maintain safe, balanced pressure during the filling or emptying of a storage vessel, tank vent filters are essential to help reduce the possibility of contaminating the product.

The amafilter AFV1 hygienic tank vent filter housing is specially designed for tank vent applications. By using a 0.2 µm hydrophobic PTFE membrane cartridge, it will ensure that viruses and micro-organisms will be removed from the gas as it flows into the storage tank. To maintain safe, balanced pressure during the filling or emptying of a storage vessel, tank vent filters are essential to help reduce the possibility of contaminating the product.

The amafilter AFV1 hygienic tank vent filter housing is specially designed for tank vent applications. By using a 0.2 µm hydrophobic PTFE membrane cartridge, it will ensure that viruses and micro-organisms will be removed from the gas as it flows into the storage tank.



2. Features

- Suitable for X7 or X6 end-cap cartridge configuration
- Low pressure drop
- 316L stainless steel housing
- Tri-clamp closure
- Crevice free construction with single hygienic polished inlet and outlet port
- Polished housing and electropolished base

3. Product specifications

Materials

Housing : 316L stainless steel

Connections

1½ - 2" : Tri-clamp or DIN11851

Design data

Design temperature : 0 / 110 °C

Operating temperature : not applicable (venting duties only)

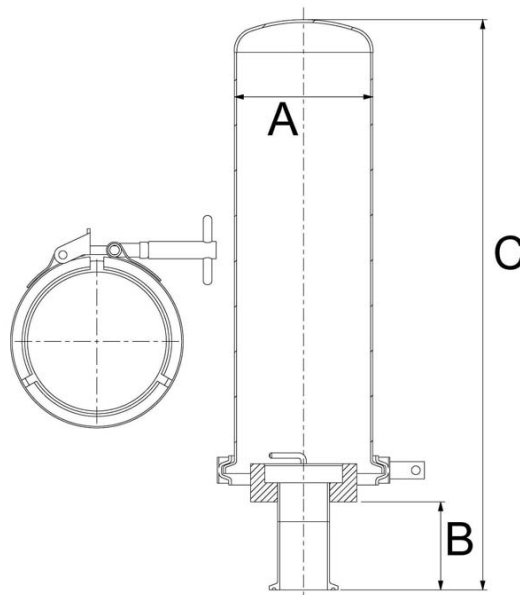
Required cartridges

For 10" housing : TMV0.2-10U-X7S

For 20" housing : TMV0.2-20U-X7S

See data sheet amaFine TMV for more information about the filter cartridges.

4. Dimensions



Dimensions [mm]					
Cartridge length	A [mm]	B [mm]	C [mm]	Volume [dm³]	Weight [kg]
10"	101.6	36	390	2.5	3.1
20"	101.6	36	647	4.5	4.1

Note : Dimensions are for reference only. Use dimensional drawing for installation purposes. MAHLE Industrial Filtration reserves the right to make technical changes without giving prior notice.

5. Ordering code

amafilter type

AFV1

AFV1

Cartridge length

1 = 10"

2 = 20"

Connection

1.5 = 1.5 " (DN40)

2 = 2" (DN50)

Connection type

T = Tri-clamp

M = DIN11851

AFV1 2 2 T

MAHLE Industrial Filtration (Benelux) B.V., P.O.Box 396, 1800 AJ Alkmaar - The Netherlands, Phone +31 (0) 72 5273400, Fax +31 (0) 72 5125207, mahle.amafilter@mahle.com, <http://www.mahle-industrialfiltration.com>, 10/2009